

Order Codes

Re-Order Code	Product Description
10300S	GB2 Night Bag - Prescription
10301T	GB2 Night Bag – Hospital

Night Stands

It is recommended that you use a night stand or bedside hanger to support the GB2 in use.

Re-Order Code	Product Description
10705P	Flat Pack Hanger
10708S	3 in 1 Metal Night Stand
10700J*	Hospital Bed Hanger

*For hospital use only

 **Nightingale**

Putting Patients First

Products available through Nightingale Home Delivery Service

1. Call **Freephone 0800 318 559** or **02920 747 770**.
2. Please ensure you have your GP details to hand.
3. Tell us which products are required and how many.

That's all – We will do everything else!

Please make sure you have at least two week's supply in hand before re-ordering.

Complimentary Items Available:

- Hand Gels
- Radar Keys
- Wet and Dry Wipes
- Disposable Bags
- Night Stands
- Sponge Bag




Great Bear
Healthcare

GB2 Night Bag

Instructions for use



Latex Free



Polybag is Recyclable



Wash Hands



Min/Max Temperature



Keep Dry



Single Use Only



NON STERILE

Great Bear Healthcare Ltd
1 Lambourne Crescent,
Cardiff Business Park,
Cardiff, CF14 5GF
T +44 (0) 29 2074 7770

mail@gbhl.co.uk
www.greatbearhealthcare.co.uk

GB2IFUV1/2017



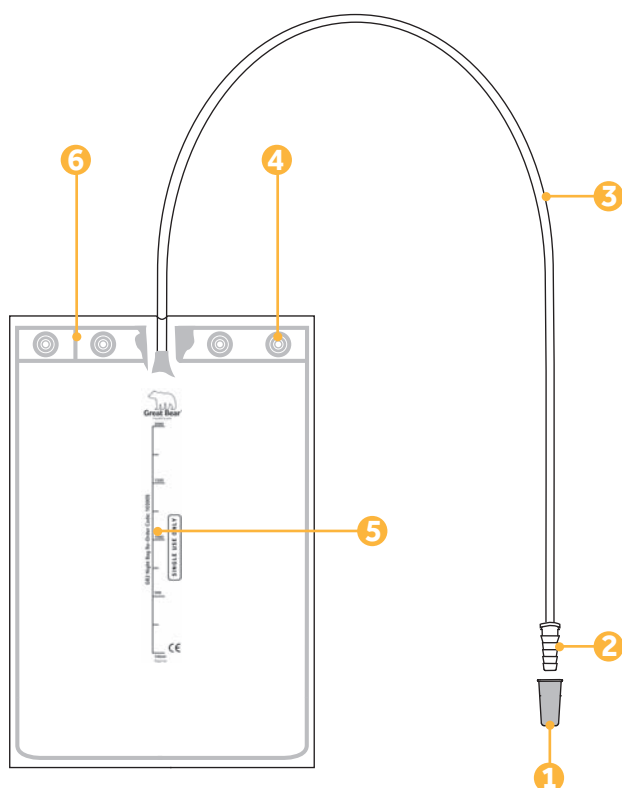
A UK manufacturer committed to Urology.

Your GB2 Night Bag

GB2 Night Bag is a 2 litre, non-sterile bag designed for single use.

To reduce the risk of acquiring a catheter associated urinary tract infection do not disconnect your Libra Leg Bag from your Indwelling Catheter. A Leg Bag should only be disconnected when a new Libra Leg Bag is required – normally every 5-7 days.

A GB2 can be connected directly to a sheath.



Key

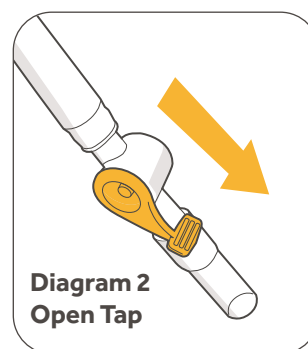
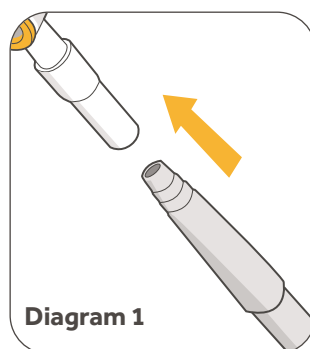
1 Protective Cap	4 Hanger Holes
2 Ridged Inlet Connector	5 Graduated Scale*
3 Inlet Tube	6 Tear open strip

* The graduated scale is an approximation and should not be used for accurate measurement of urine output

Instructions For Use

Before Use

- 1) Wash Hands
- 2) Remove GB2 Night Bag from packaging
- 3) Remove the grey protective cap (1) from the GB2 inlet connector (2)

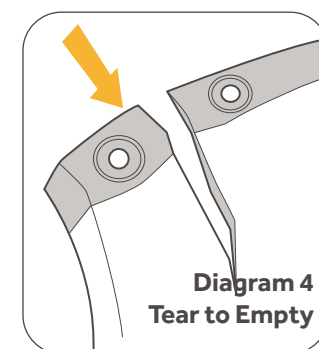
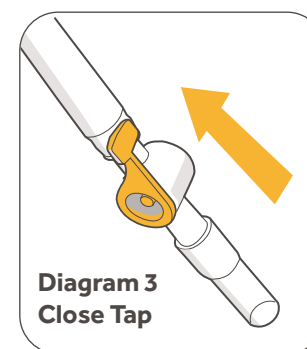


Connection

- 1) Insert the ridged inlet connector (2) into the soft silicone tube on the outlet tap of your Libra Leg Bag (Diagram 1). Insert the connector fully to allow a secure connection between the GB2 and Libra Leg Bag
- 2) The GB2 should be positioned on a night stand using the hanger holes (4) located at the top of the GB2
- 3) Ensure the GB2 is positioned on a night stand at a level below the bladder for optimal drainage
- 4) Make sure the inlet tubing (3) isn't kinked which can restrict the flow of urine
- 5) To allow urine drainage from your Libra Leg Bag to the GB2 Night Bag ensure the tap on the Libra Leg Bag is in the open position (Diagram 2)

Emptying

- 1) Close the Libra Leg Bag tap before disconnecting the GB2 Night Bag (Diagram 3)
- 2) To empty the GB2 Night Bag push your thumb firmly through the top left hand corner(3), and continue the tear downwards into the bag (Diagram 4)
- 3) Fully invert the bag, allowing urine to flow into the toilet



Disposal

- 1) Dispose with normal household waste – do not flush down the toilet

Cautions

- The GB2 is for single use only and cannot be reused
- Keep out of the reach of children